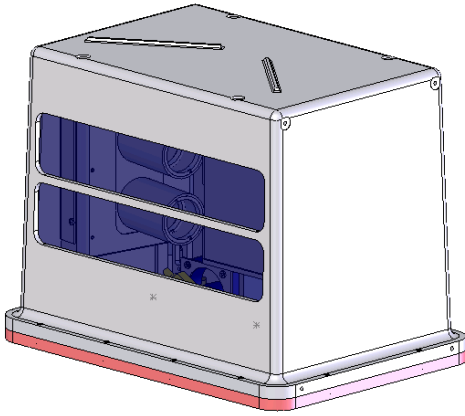


LFS-A 160

System specification



Parameter	Value
Maximal detection range (typical human with reflectivity $\geq 30\%$).	Up to 160 m
Maximum detection distance to a crawling intruder	130 m
Maximal Detection Range for a Low (10%) Reflective Object	85m
Angular Resolution	2 mR (0.115°)
Maximal Scanning Angle	105°
Beam Inclination Angle	0°
Adaptivity to Periodically Movement Objects (Trees, Bushes, etc.)	Yes
Scan Rate	4 ÷ 5 Hz
Pulse Repetition Frequency (PRF)	6 ÷ 7 kHz
Installation position	Vertical / Horizontal
Laser beam divergence, relatively to scanning plane	Parallel / Upright
Number of Tracked Objects	16 simultaneously
Mounting Height	0-50m
Laser Safety Class	Class 1 (eye safe)
Wavelength	905nm
**Operating Ambient Temperature	- 25°C ÷ + 50°C
Storage Temperature	- 35°C ÷ + 70°C
Supply Voltage	10-14 VDC @ 1 A (12 Watt)
Heater Supply voltage (For environment under 0°C)	10-14 VDC @ 2.5 A (30 Watt)
**Enclosure rating	IP 67
Weight	13.5 Kg
Dimensions (W x D x H) (exclude connector)	340 x 240 x 260 mm

** LFS-A system request sun / rain protection hood, to prevent hit of rain water on the windows and system overheat from the direct sun. The hood is not supplied with the system and must be configured, according to installation conditions and be made so, that to protect the system from above and non detection sides.